

MAGNETIC MINIATUR ROTARY ENCODER

Series MH605-II-MU

Product Description

Rotary Encoder of series MH605-II-MU features a magnetic and redundant measuring system. Rotary angles of 0 – 360° can be measured by this sensor.

Signal output is provided via two synchronous or opposite 0.5 – 4.5V DC voltage signals (factory calibration).

With its redundant data logging and signal output this sensor can also be used in safety-relevant applications if the external interface can perform required signal comparison. Due to its compact design this sensor is especially suited for very crowded mounting situations.

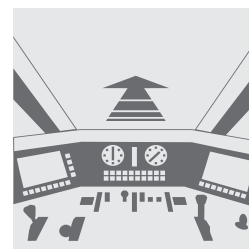
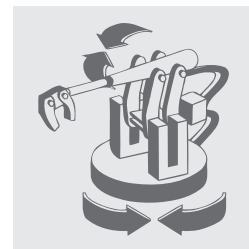
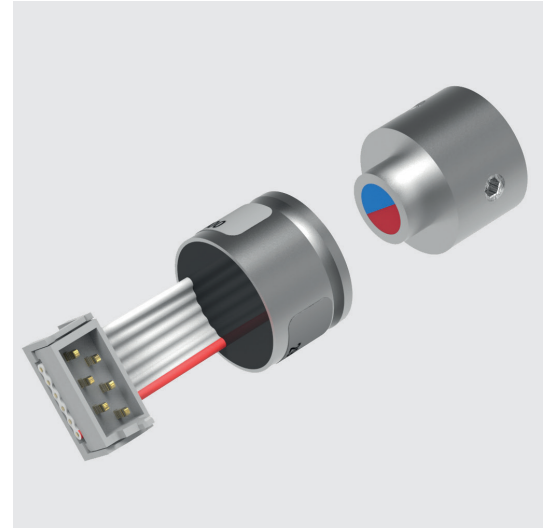
Typical applications are: axis measurement in joysticks or control transmitters used to control ships, construction machinery, or other vehicles and mobile installations respectively.

Mechanical Data

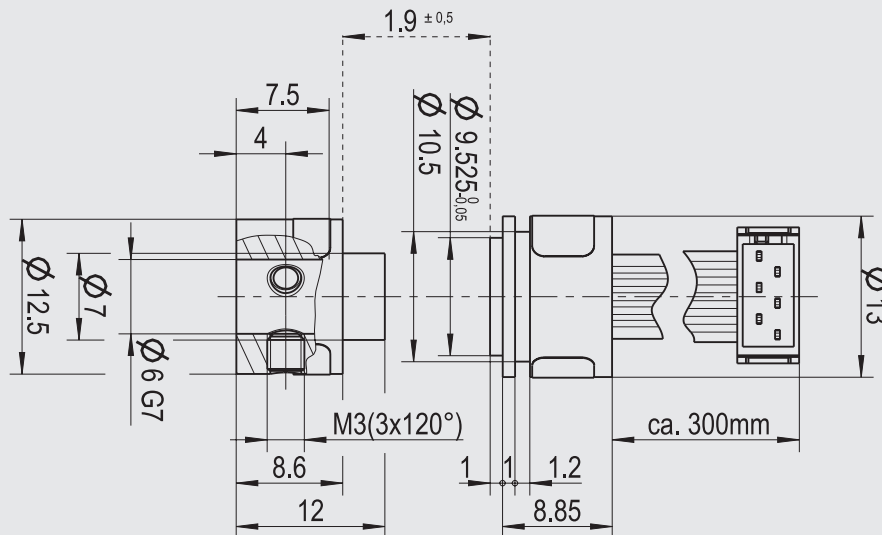
Housing	Diameter 13mm
Material of housing	Seewater proofed aluminium
Shaft	Adapter with external magnet, see overleaf
IP code (casing)	IP68
Measuring system	Magnetic, hall-sensor, redundant
Measuring range	max. 360°
Temperature range	-40°C ... +105°C
Lifetime mechanical	almost infinite
Vibration	4g sinus, 5 - 100Hz
Shock	50g, 6ms
Weight	ca. 10g
Electrical connection	AMP-micro – connector, 6-pole
Parrent item	2900Z01

Electrical Data

Signal output	2 x 0,5 - 4,5V DC, ratiometric
Signal output	redundant
Factory calibration	0 – 360°, others on request
Load	> 10kOhm
Supply voltage	5V DC (±10%), others on request
Current consumption	< 10mA each channel
Reverse polarity protection	available
Resolution	12 Bit / 360°
Linearity	±0,3%
Temperature coefficient	0,1% / 10K
Emission standard	EN 61000-6-4
Immunity standard	EN 61000-6-2
Test voltage	500V DC

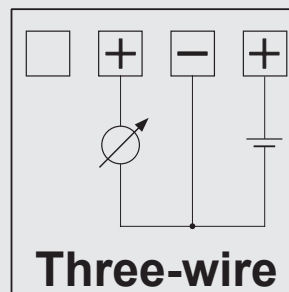


Series MH605-II-MU



Simplified drawing

Connection		
Channel A	RD (1)	5V
	GY (2)	0V
	GY (3)	Out
Channel B	GY (4)	Out
	GY (5)	5V
	GY (6)	0V



Electrical connection